

COVER

Table of Content

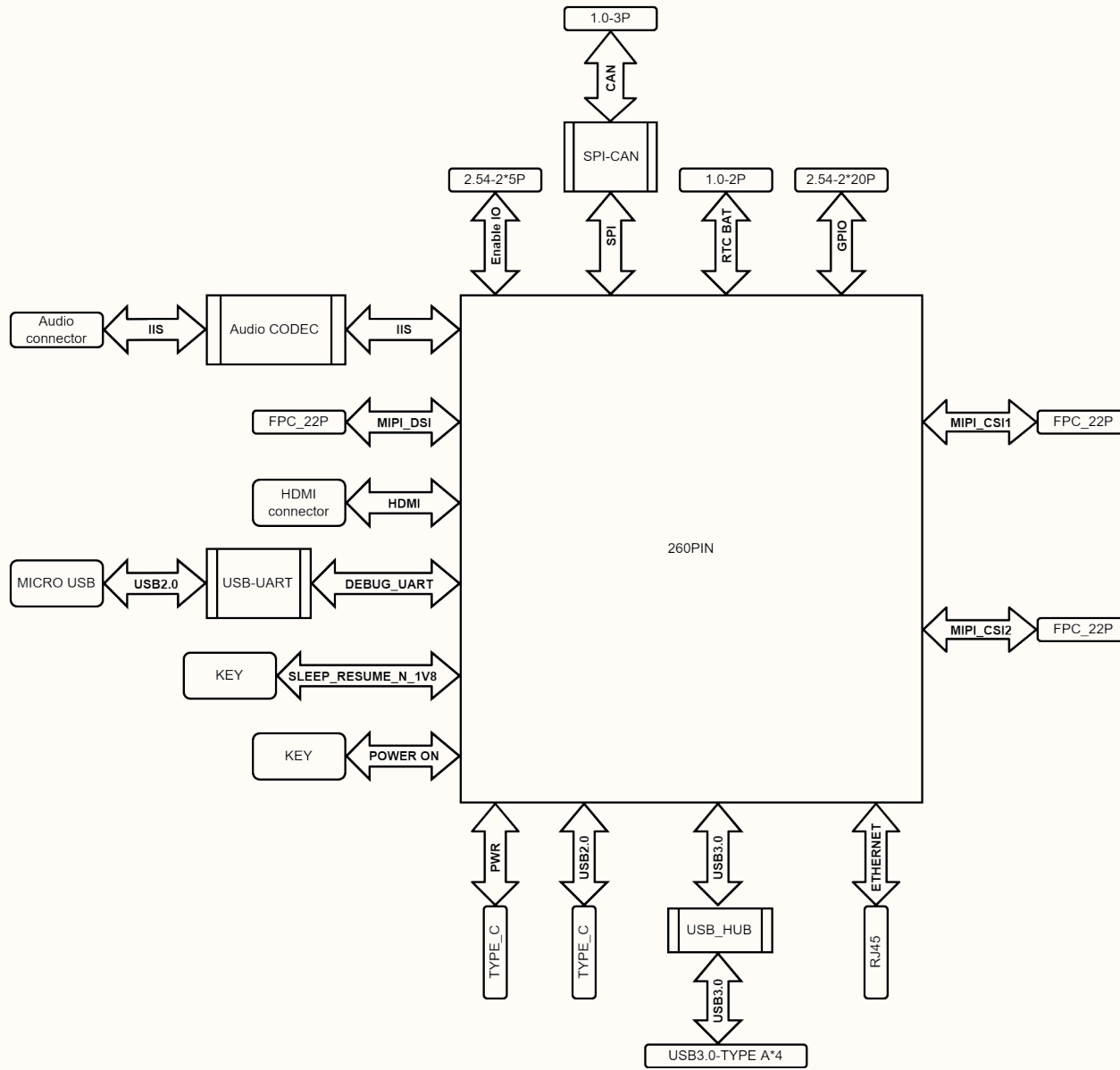
Page 1	COVER
Page 2	BLOCK
Page 3	POWER_TREE
Page 4	Z60PINS
Page 5	LED_LEVEL SHIFTER
Page 6	POWER
Page 7	MIPI_HDMI
Page 8	USB_HUB3.0
Page 9	USB_DEVICE2.0_HOST3.0
Page 10	TFCARD_FAN
Page 11	AUDIO_CAN
Page 12	ETHERNET
Page 13	40PINS

Revision History

Rev. Code	Description
V0.1	Initial release, under development and verification
V0.2	The pin definitions of the Z60-pin interface have been modified (PIN224, 226, 232, 234, 236), which are in compatible with Version V0.1.
V0.3	Modify the USB2.0 HostDevice Selection design.
V1.0	1. Modify the USB2.0 HostDevice Selection design. 2. Add R110 to identify booting from emmc. 3. The P and N data exchange of D2 and D3 in CAM2.
V1.1	Updates some notes and network names, no changes to electrical connections.

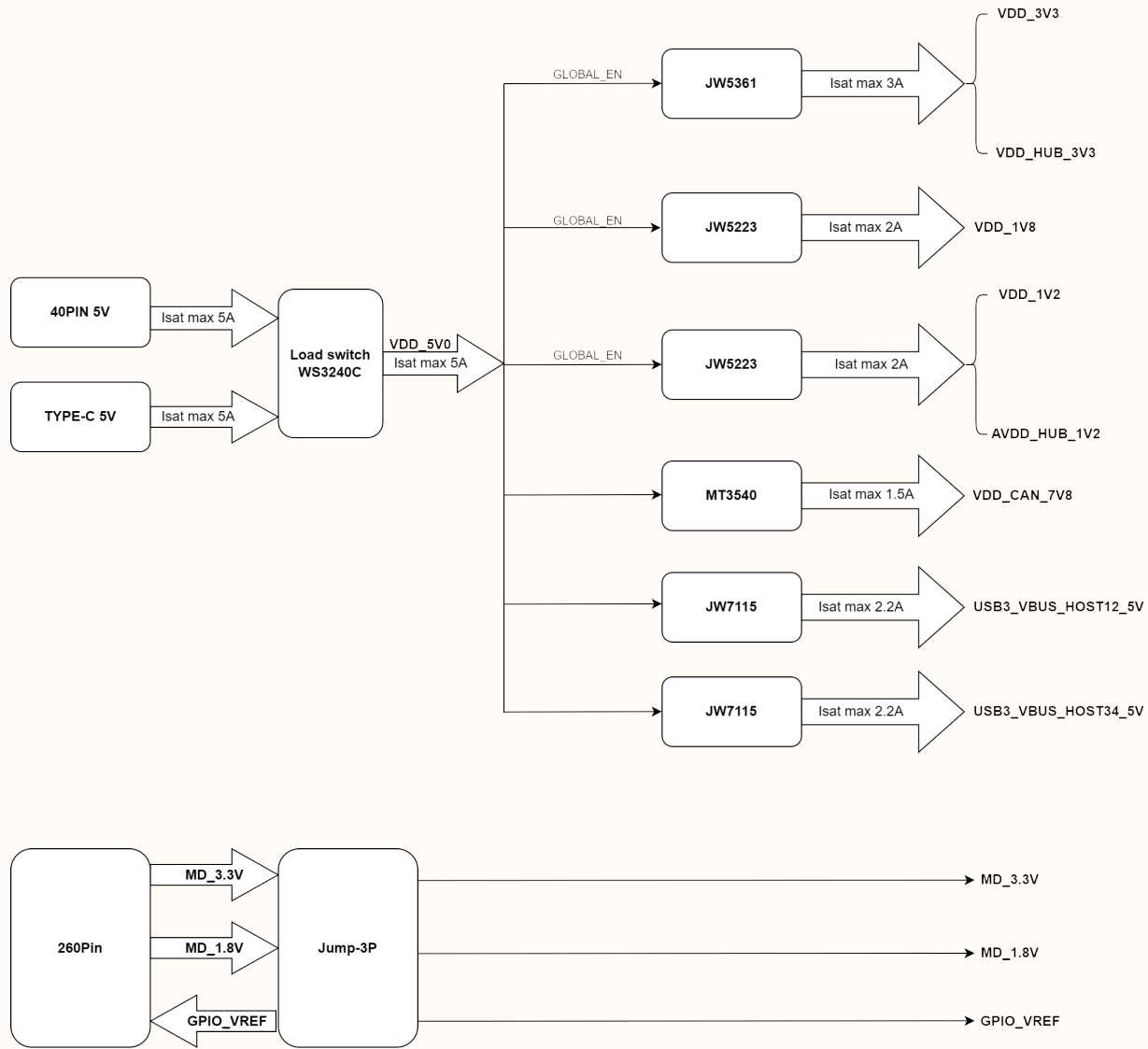
Title:			
Project:	RDK_X5_MD_Carrier_Board_V1P1		
File:	P01_COVER.SchDoc		
Page Size:	A2	Rev:	V1.1
Design by:	D-Robotics Hardware Team	Sheet:	1 of 13
Date:	2025/10/29		

BLOCK



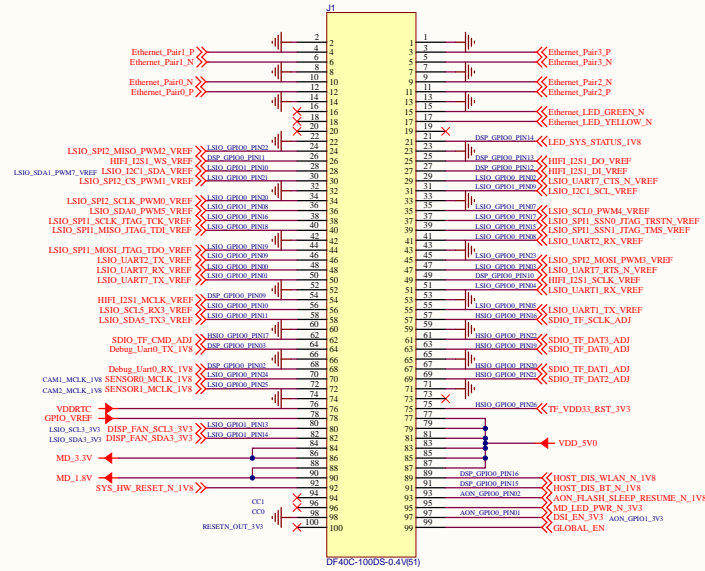
Title:	
Project:	RDK_X5_MD_Carrier_Board_V1P1
File:	P02_BLOCK.SchDoc
Page Size:	A2
Design by:	D-Robotics Hardware Team
Date:	2025/10/29
Rev:	V1.1
Sheet:	2 of 13

POWER_TREE

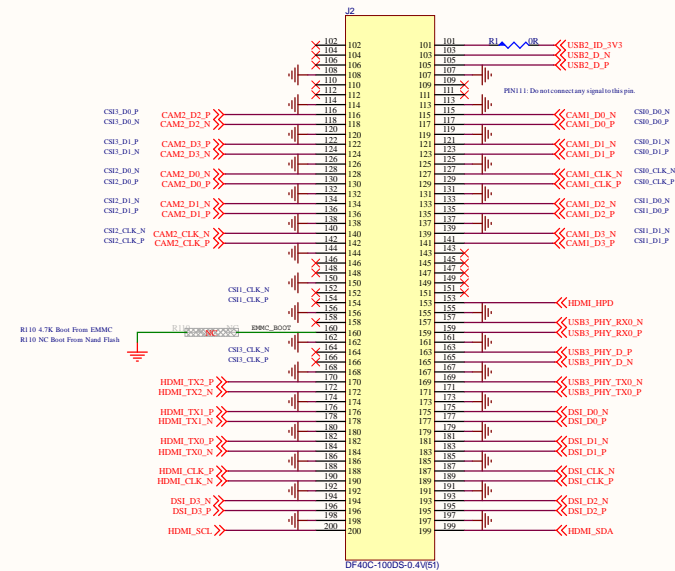


Title:	
Project:	RDK_X5_MD_Carrier_Board_V1P1
File:	P03_POWER_TREE.SchDoc
Page Size:	A2
Design by:	D-Robotics Hardware Team
Date:	2025/10/29
Rev:	V1.1
Sheet:	3 of 13

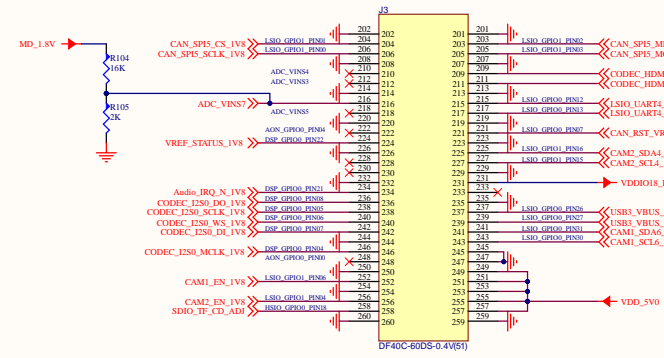
260 Pins Connector



WLAN disable
BT disable
Output: Active-low output to drive Power On LED.
Input: Driven low to power off the Module.

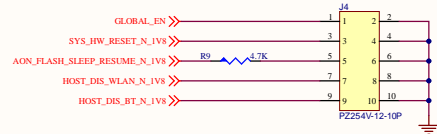


R10 4.7k: Root From EMMC
R10 NC: Root From NAND Flash



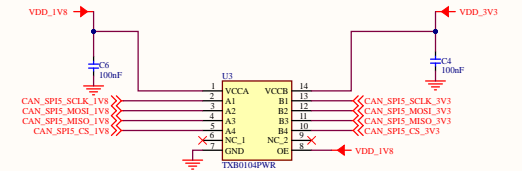
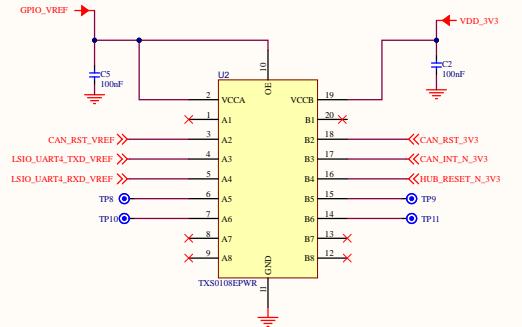
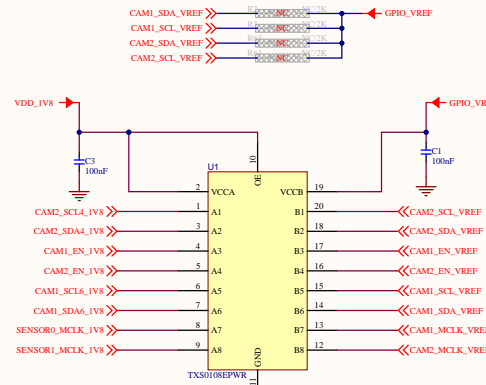
Title:	
Project:	RDKit_X5_MD_Carrier_Board_V1P1
File:	P04_260PINS_SchDoc
Page Size:	A2
Design by:	D-Robotics Hardware Team
Date:	2025/10/29
Rev:	V1.1
Sheet:	4 of 13

Mode SEL



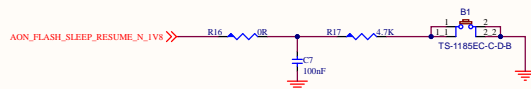
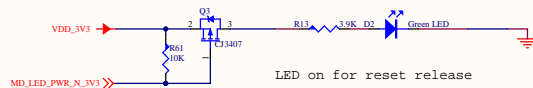
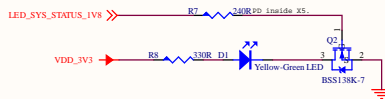
GLOBAL_EN is low, and all power to the module is turned off.

IO Level Shifter



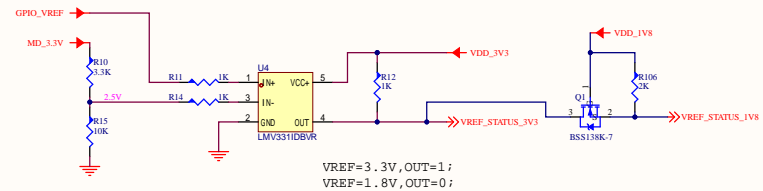
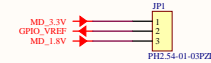
LED

Module Sate LED: running, flashing



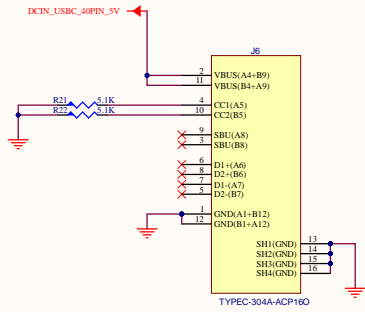
VREF SEL

GPIO_VREF default 3V3, optional 1V8
(Requires 1V8 level software for the module)

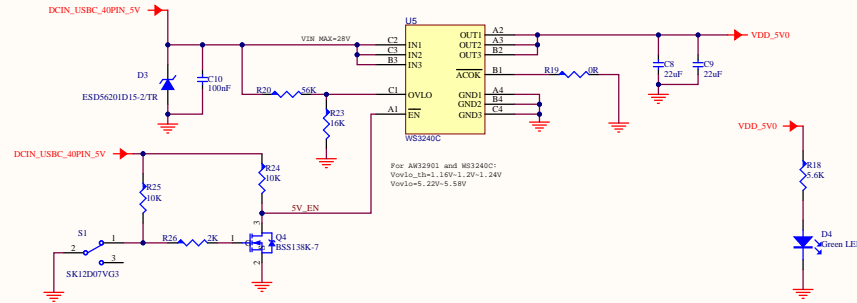


Title:	
Project:	RDK_X5_MD_Carrier_Board_V1P1
File:	P05_LED_LEVEL_SHIFTER.SchDoc
Page Size:	A2
Design by:	D-Robotics Hardware Team
Date:	2025/10/29
Rev:	V1.1
Sheet:	5 of 13

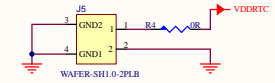
USB-C POWER (MAX 5A@5V)



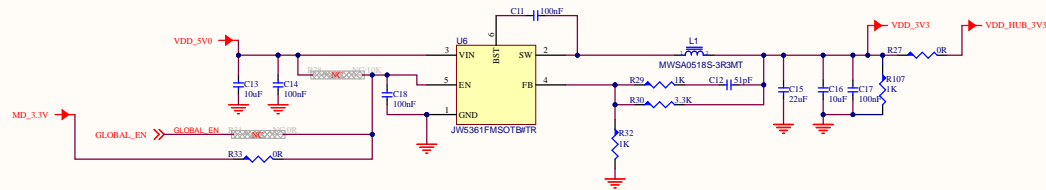
DC INPUT OVP



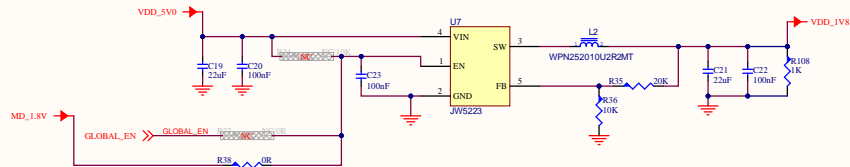
RTC BATT



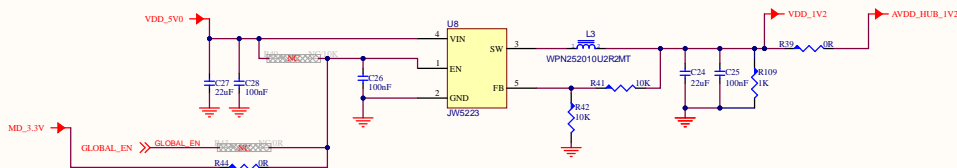
VDD_3V3



VDD_1V8



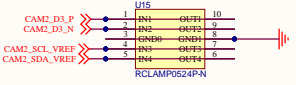
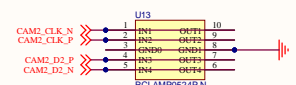
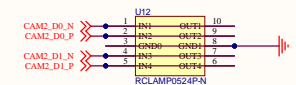
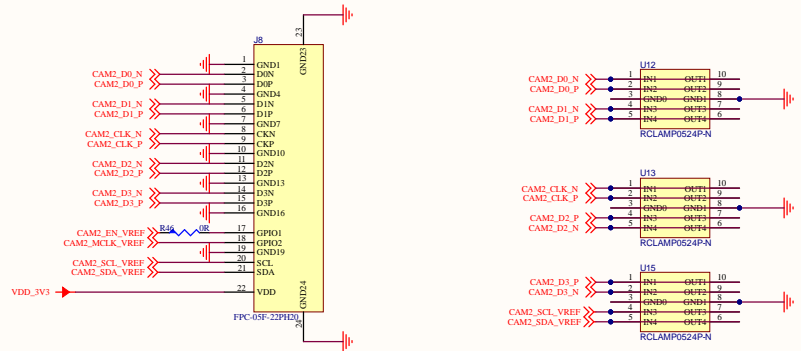
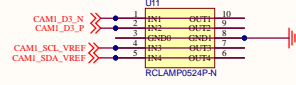
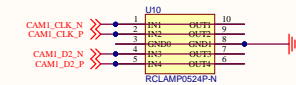
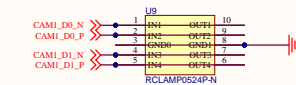
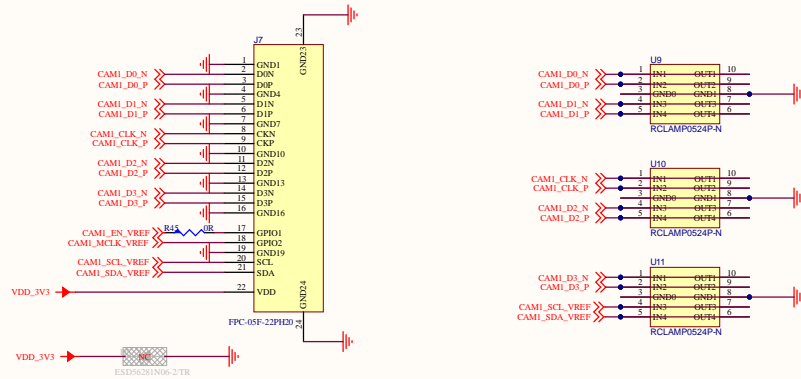
VDD_1V2



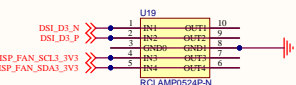
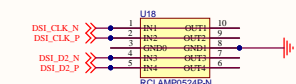
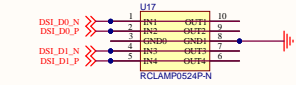
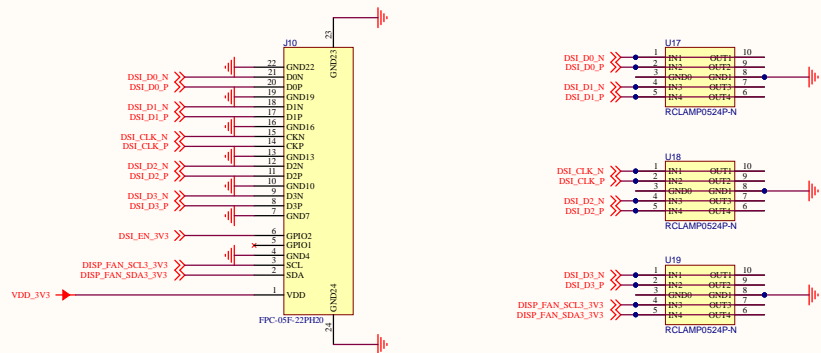
Title:	
Project:	RDk_X5_MD_Carrier_Board_V1P1
File:	P06_POWER.SchDoc
Page Size:	A2
Design by:	D-Robotics Hardware Team
Date:	2025/10/29

Rev:	V1.1
Sheet:	6 of 13

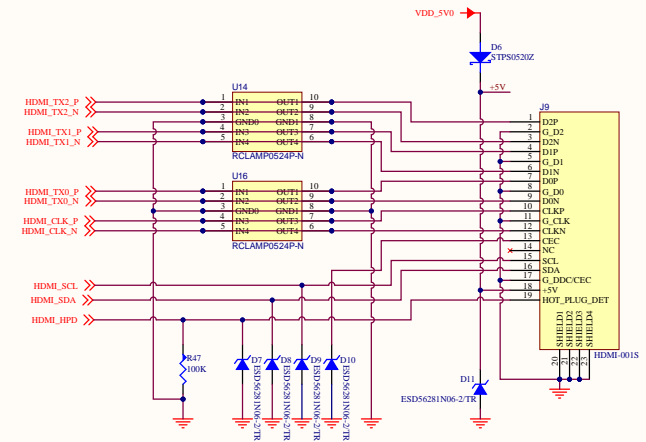
MIPI CSI



MIPI DSI

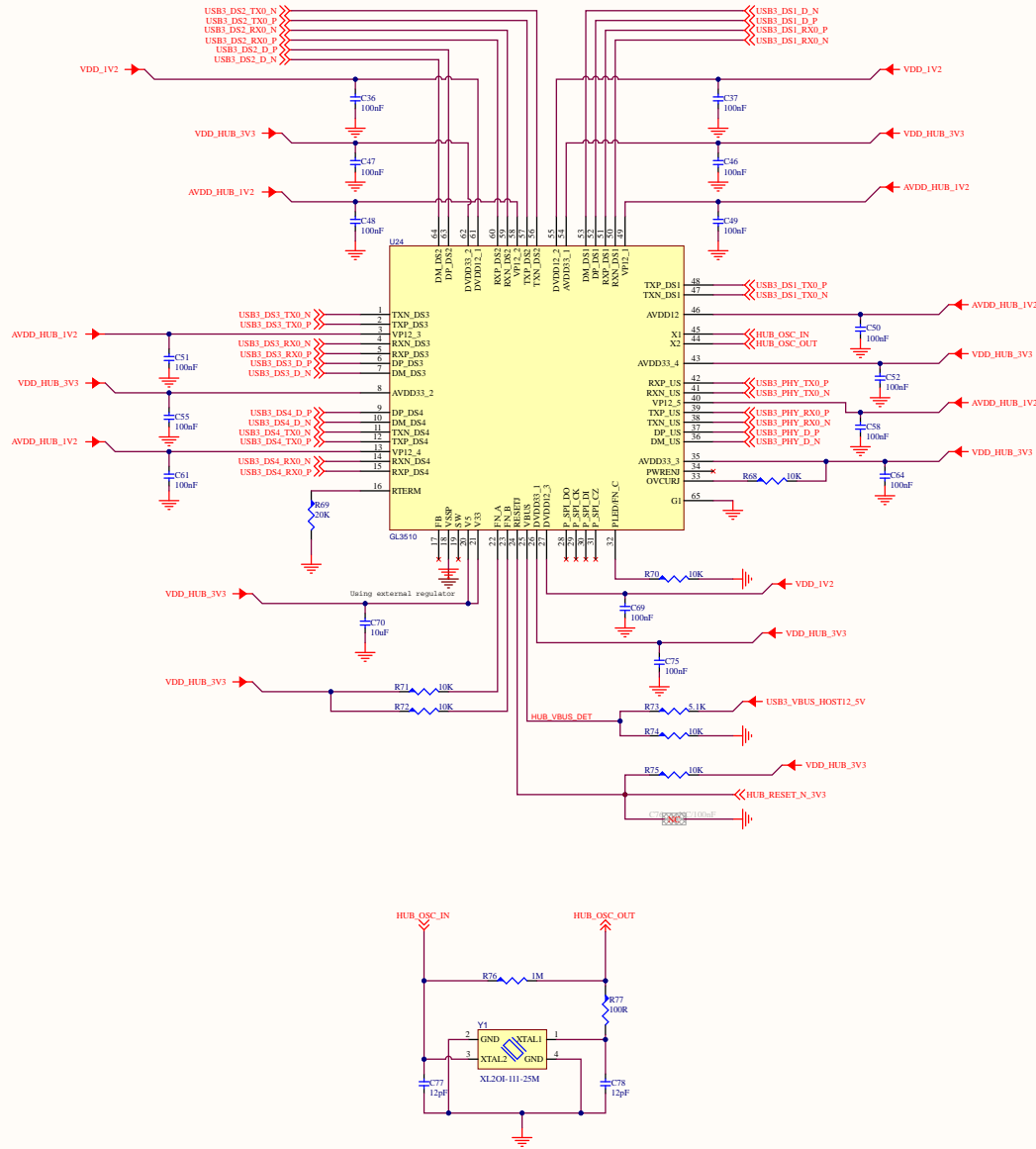


HDMI Type-A



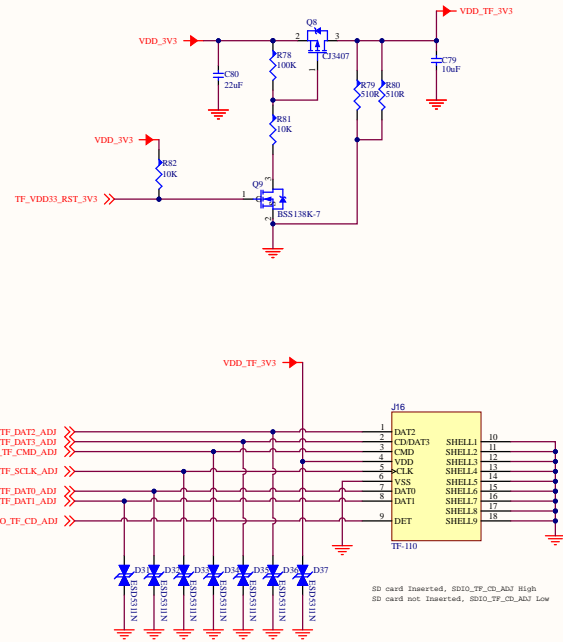
Title:	
Project:	RDK_X5_MD_Carrier_Board_V1P1
File:	P07_MIPI_HDMI_SchDoc
Page Size:	A2
Design by:	D-Robotics Hardware Team
Date:	2025/10/29
Rev:	V1.1
Sheet:	7 of 13

USB 3.0 HUB

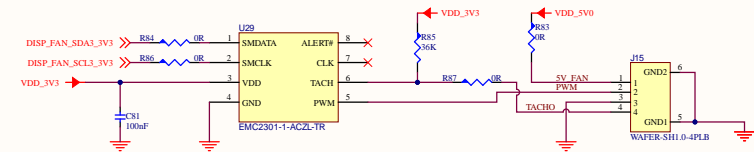


Title:	
Project:	RDK_X5_MD_Carrier_Board_V1P1
File:	P08_USB_HUB3.0.SchDoc
Page Size:	A2
Design by:	D-Robotics Hardware Team
Date:	2025/10/29
Rev:	V1.1
Sheet:	8 of 13

TF CARD

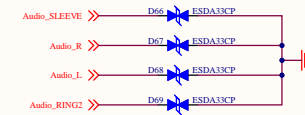
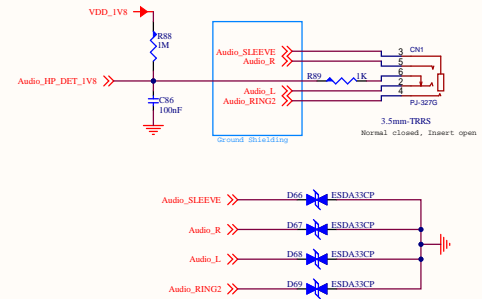
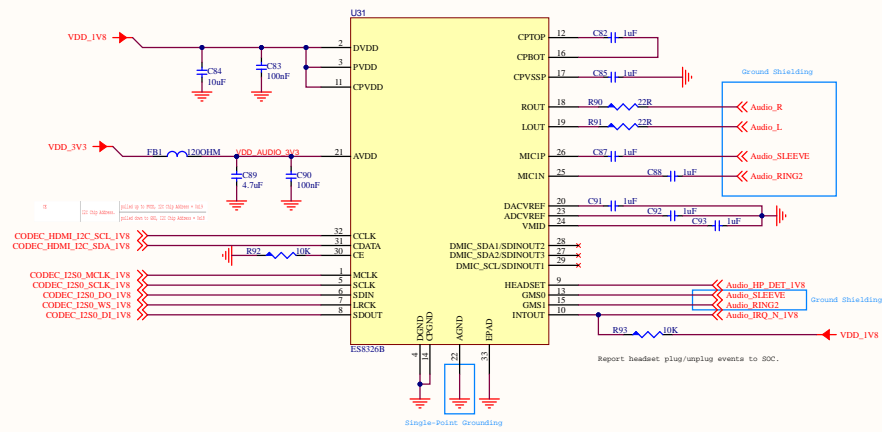


FAN CON



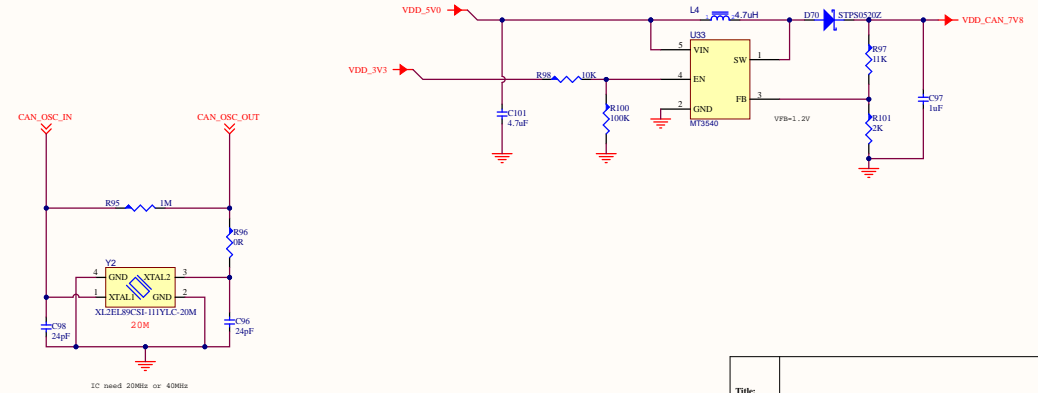
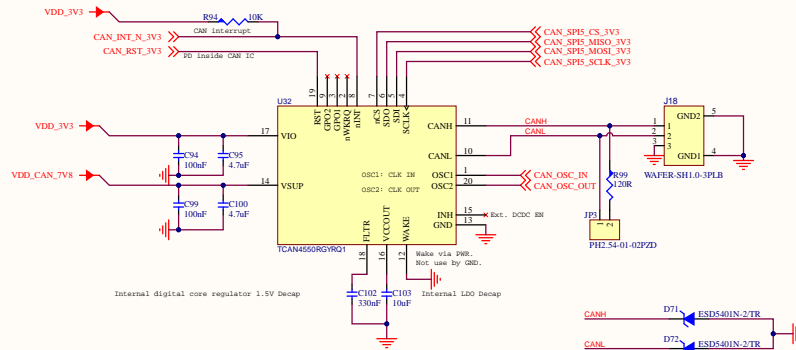
Title:	
Project:	RDK_X5_MD_Carrier_Board_V1P1
File:	P10_TFCARD_FAN.SchDoc
Page Size:	A2
Design by:	D-Robotics Hardware Team
Date:	2025/10/29

AUDIO



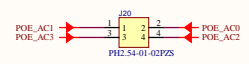
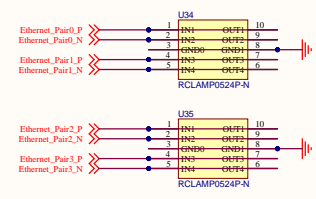
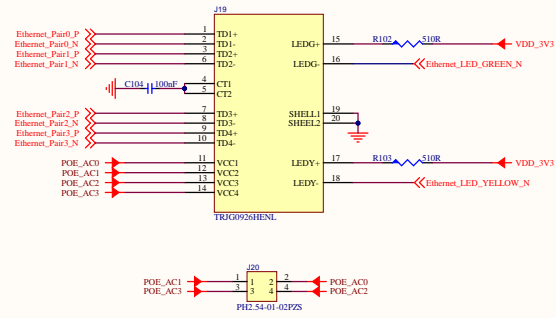
CAN

CAN: 5V → 7V8



Title:	
Project:	RDk_X5_MD_Carrier_Board_V1P1
File:	P11_AUDIO_CAN_SchDoc
Page Size:	A2
Design by:	D-Robotics Hardware Team
Date:	2025/10/29
Rev:	V1.1
Sheet:	11 of 13

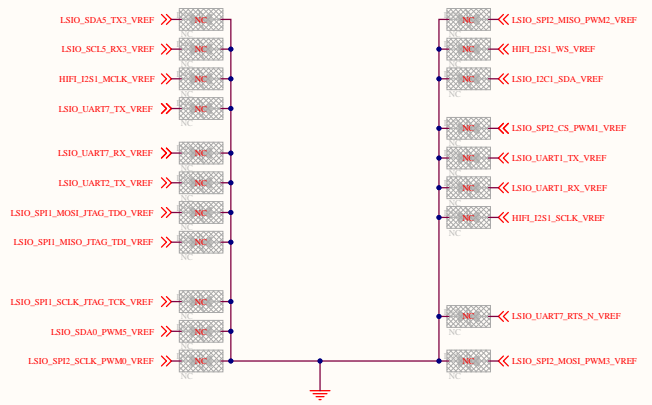
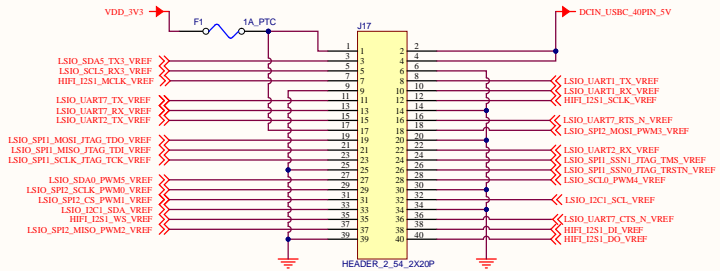
RJ45_POE



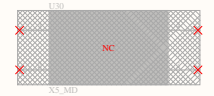
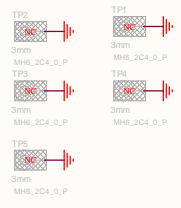
Title:	
Project:	RDK_X5_MD_Carrier_Board_V1P1
File:	P12_ETHERNET.SchDoc
Page Size:	A2
Design by:	D-Robotics Hardware Team
Date:	2025/10/29

Rev:	V1.1
Sheet:	12 of 13

RDK Extension Interface(40PIN)



Mounting Holes



Title:	
Project:	RDK_X5_MD_Carrier_Board_V1P1
File:	P13_40PINS_SchDoc
Page Size:	A2
Design by:	D-Robotics Hardware Team
Date:	2025/10/29
Rev:	V1.1
Sheet:	13 of 13